


Electronic Pressure Sensors precise measurements, high-tech electronic, long-term stability, high EMC protection.


Application: Pressure and temperature measurements

ROAD Deutschland GmbH enhances its product portfolio in the field of electronic pressure measurement, PSE series, closing a technology and distribution partnership with 

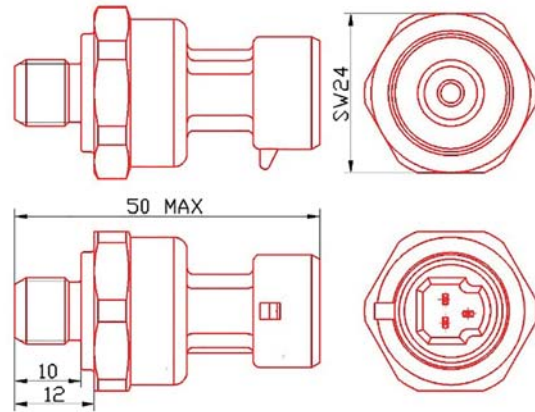
Electronic pressure sensor for hydraulics, air conditioning, compressed air and exhaust systems (DPF, EGR ...), engine and transmission technology (oil pressure, MAP, common rail, cylinder, turbo ...), ...



Product Characteristics

- Production also according to application and customer request
- Sensor housing made of stainless-steel, aluminum, brass and plastic...
- Standardized output signals
- Customized electric connections
- Possibility of temperature measurement with PT- sensor
- Miniaturized high-tech electronics 
- High accuracy, lifetime about 10 million cycles (full scale)
- Signal output analog, CAN, LIN, SENT, PWM ...

Data sheet Pressure Sensor **PSE**



Technical data / Execution

Construction Design

Process connection	M10 x 1,25, M12 x 1,5, M14 x 1,5, M16 x 1,5 3/8-24UNF, M11 x 1,7/16-20UNF, G 1/4, G 1/2, 1/8-27NPT, 1/2-20UNF, connection housing ...
Assembly	screw connection, plug connection
Housings material	Stainless steel, brass, aluminum, plastic ...
Min. pressure	1 bar
Max. pressure	350 bar
Standard measuring technology	ceramic thick film
Optional measuring technology	metal thin film, MEMS (micro electronical mechanical system), SOI (PIEZO)
Measuring principle	relative, absolute, differential
Temperature	-40°C up to 135°C (150°C according to the application)
Overload limit	2 x measuring range
Burst pressure	min. 3 x measuring range

Electrical Execution

Electrical connection	Packard, AMP, DEUTSCH ...
Operating voltage	5 Volt
Signal output	0,5 – 4,5 Volt, programmable
Digital signal output	CAN, LIN, SENT, PWM ...
IP – Protection class	max. IP 6k9k
Response time	< 10ms
Power consumption	analog <=1mA (5kOhm Last) digital max. 10mA
Cable length	No cable
Measuring accuracy	+/- 1%

Resistance

Media	Fuels, hydraulic and engine oils, lubricants, aqueous solutions, gases.
-------	--

Subject to technical modifications.